

MAXPRO® Cloud Appliance

www.maxprocloud.eu

HYBRID VIDEO APPLIANCE

Honeywell's MAXPRO® Cloud hosted video service features the cloud-ready hybrid video appliance that lets users view live and recorded video over the Internet using a PC, Mac, tablet or Smartphone. It is ideal for entry into IP video surveillance systems and offers a new source of RMR opportunities for dealers through hosted video services.

The MAXPRO Cloud appliance can accommodate both analog and digital cameras and records a maximum of eight channels, including up to four Power over Ethernet IP cameras. This superior flexibility makes it easy and affordable to transition to high quality digital video. MAXPRO Cloud is ideal for end users who want to protect their existing investment in analog but want the ability to upgrade to IP, and also for customers who are starting out with video surveillance and are looking for an affordable entry-level IP system.

With auto camera detection and a built-in network switch, the MAXPRO Cloud appliance is designed for fast and easy onsite deployment, installation time. Installation and setup is made easy with our unique MAXPRO® Connect feature, which links the unit quickly to our state-of-the-art hosting center. And MAXPRO Cloud's configuration webpage provides a quick and intuitive configuration of event triggers and user parameters for each camera.

The web-based interface is viewable from any standard Mac or PC browser and requires no software to be downloaded. The interface is simple and intuitive with all the functionality and features that customers need, such as live view and playback of recorded video, one-click simple search of events, advanced search, and easy snapshot and clip creation.

The MAXPRO Cloud appliance utilizes RTSP and HTTP streaming for high quality video while minimizing network bandwidth utilization. Critical events can be captured locally at higher resolution and frame rates and are easily retrieved. Event triggers can be via contacts, during scheduled recording times, or via built-in object detection. The arm and disarm feature also allows MAXPRO Cloud to be active only when your alarm panel or access control system is armed.

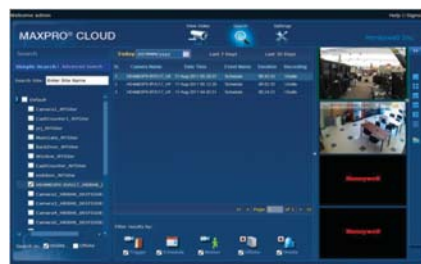
The MAXPRO Cloud appliance features our Active Alert® analytics to offer SmartVMD (video motion detection), reducing false alarms and monitoring operation costs.

Market Opportunities

MAXPRO Cloud is ideal for retail outlets, multi-location businesses, franchises, restaurants, small and medium-sized commercial enterprises, small education/day care/dance facilities, temporary sites requiring quick deployment, construction sites, warehouses and storage facilities. It is also perfect for retrofit of existing analog sites.

Key Benefits

- Cloud-ready system saves you time – allows you to view and manage live or stored video events from any location via the Internet
- Reduces installation and training costs by not having to install and maintain onsite client software
- Fast and easy deployment – reduces need for IT expertise
- Provides opportunities for RMR through value added hosted video services
- Expandable – additional video storage is available by adding off-the-shelf USB plug-in storage or NAS storage
- Single Sign On to all installed locations
- Powerful and flexible account management of all customer locations
- Full remote monitoring, management and configuration of all devices
- Email alerts of critical site events, alarms and device health
- Back up storage of critical events in the cloud
- Flexible and cost effective on site storage options, USB and NAS

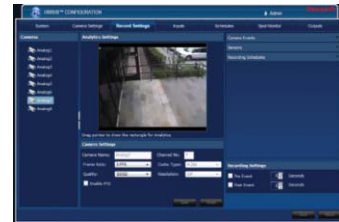
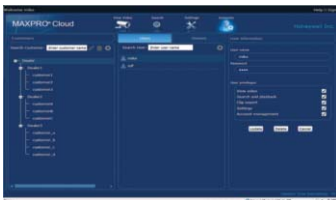


FEATURES

Hardware

- Hybrid support for up to a combined total of 8 channels of analog/IP cameras
- IP camera support for up to a maximum of 8 high definition IP cameras
- Recording rates at CIF resolution: 120/100 ips global (NTSC/PAL)
- Live viewing and playback using web interface
- 8 BNC analog video inputs
- 4 IP PoE inputs
- 8 alarm inputs, 2 control outputs, 1 arm/disarm
- Embedded 4 GB solid state drive
- Recording rates up to 1080P, 15fps locally, up to 1080P, 15fps in the cloud (flexible configuration between cameras)
- Up to 1080P, recording and or viewing resolution (IP Only)
- LINUX – secure, stable multi-tasking real-time OS
- Built in network switch
- Front panel LED data indicators
- USB port to connect external USB storage drive
- 19" rack mountable or wall mountable

SSO – Single Sign on Access to Account management, live view, search and configuration of all sites



Web Interface: Account Management

- Securely access your customer accounts from anywhere
- Easily manage your customer sites and requests remotely
- Add new sites, users, passwords and user privileges
- Turn user services and access on and off as required
- Search customers and locations quickly and easily
- Access device information quickly for servicing and repair
- Configure email notification and events
- Configure storage options

Web Interface: View Video, Live and Recorded

- View from anywhere via standard web browser
- Display and access multiple sites automatically based on user privilege
- Drag and drop cameras into viewing windows
- View live video – display a single camera or quad view with different salvos
- Easy one-click search/review of recorded events/clips
- Easy capture and export of snapshots and video clips
- Remote export of onsite recording clips to USB
- Review evidence clips using any standard video players
- Accessible behind a firewall or corporate network
- Alarm notification via e-mail quick link feature and review of events
- Secure HTTPS login
- User privilege-based access
- MAXPRO mobile, support for Apple and Android devices

Web Interface: Appliance Configuration

- MAXPRO Connect to hosting site with LED notification of secure connection
- Network discoverable or direct laptop connection and configuration
- Connect and configure remotely to diagnose customer issues
- Auto discovery of MAXPRO Cloud unit via Bonjour plug-in for IE
- Easy quick onsite configuration of all settings
- Secure password protection
- Live view camera setup and configuration, auto discovery of connected cameras
- Simple and easy SmartVMD analytics setup
- Set up schedules, triggers and recording options

SPECIFICATIONS

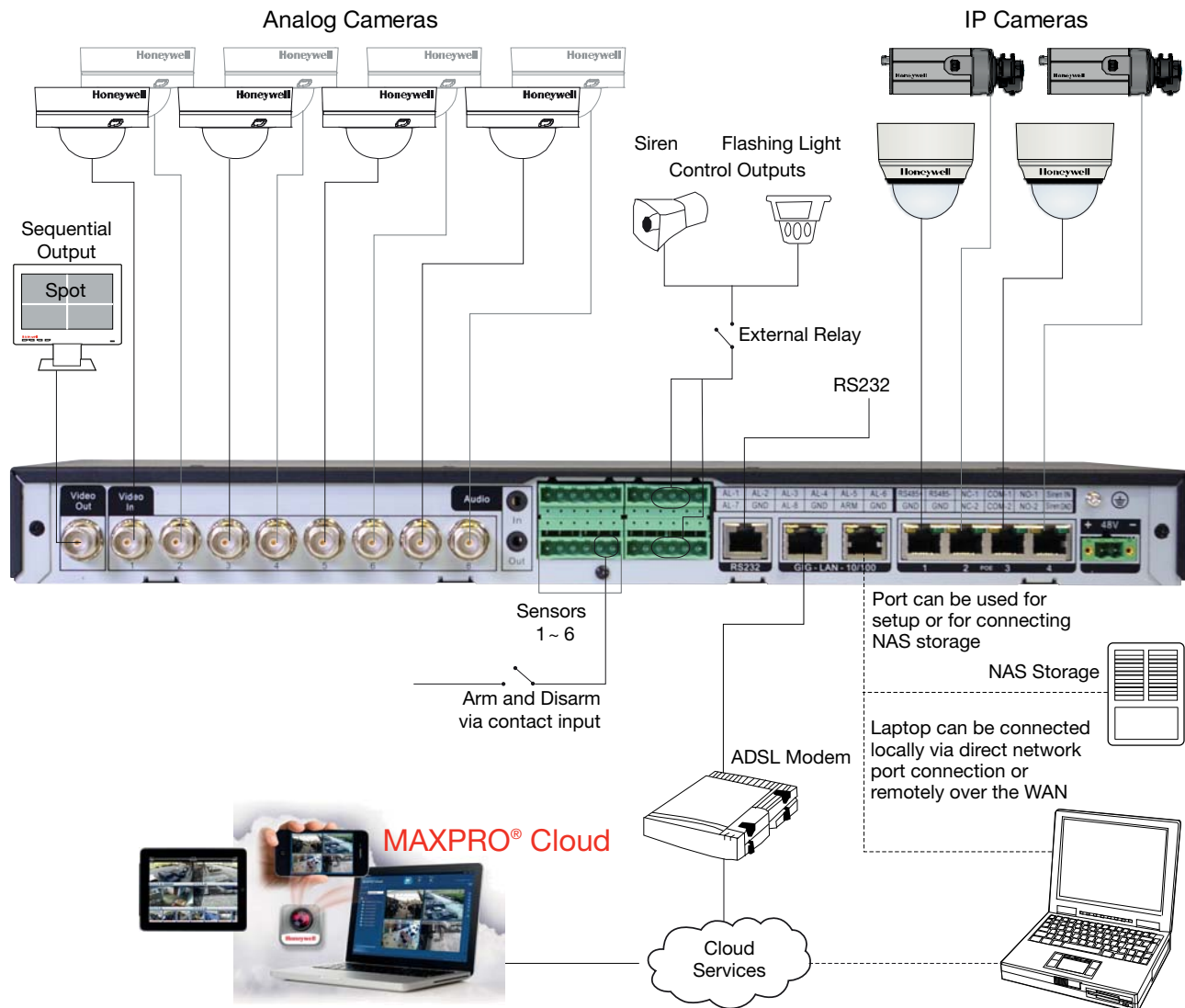
Web Interface – Dependent on end user premise bandwidth	
Total number of video stream supported per unit	32
Users retrieving video, reviewing alarms and events, playback of video using web interface	24 (HTTP)
Continual video streams per unit – offsite recording streams	8 (RTSP)
Specifications	
Video Standard	PAL/CCIR or NTSC/EIA
Video Format Analog	354x240 (NTSC) (CIF)
	352x288 (PAL) (CIF)
Video Format IP	320x180, 640x360, 800x450, 1280x720
Recording and Transmission Compression Algorithm	H.264, MPEG-4
Record Mode	(FIFO) Continuous buffer event based/continual based
Recording Capacity	4GB Internal SSD Up to 1TB USB Plug in Storage Up to 8TB NAS Storage Cloud Event Based Storage
Recording Rate On Site and Cloud	Recording rate Onsite and Cloud Recording rates up to 1080P, 15fps locally, up to 1080P, 15fps in the cloud (flexible configuration between cameras)
Video Quality Settings	1-3 (Good – Best)
Smart Video Motion Detection (SmartVMD)	Up to 4 channels (analog only)
Event Recording and Reporting	Event based scheduling, email with clip attachment, configurable event notifications, system health, I/O triggers, motion, video loss
MAXPRO Connect	Auto connect to hosting site/auto registration dynamic IP resolution UPnP support – auto port forwarding
Network Attached Storage	Supports NFS, standard mounting options
USB 2.0 Ports	1 USB front

Rear Panel Connections	
Video Input (Analog)	8 BNC 1.0 – Vp-p @ 75 Ohms
Video Input IP	4 PoE IP video inputs (auto detect)
Video Output	1 – Spot or switcher, BNC 1.0 – Vp-p @ 75 Ohms
Alarm/Control Inputs	8-3.3 V tolerant User-configurable NO, NC 3.5 mm terminal block
General Purpose Control Outputs	2-12 V open collector TTL @ +15 mA/-100 mA 12V @ -100 mA current sink 3.5 mm terminal block
Arm/Disarm	1 3.3 V tolerant
Serial Port RS232	1 – RJ45
Networking Ports	1x 100/1000 base T Ethernet, 1x 10/100 base T Ethernet, standard RJ45 Interface
Electrical	
Input Voltage	100-240 VAC, 60/50 Hz
Operating Voltage	48 VAC auto-sensing
Power Consumption	30W (analog cameras only)
Mechanical	
Dimensions (W x H x D)	17.42" x 1.72" (1U) x 8.06" (Inc. BNCs) (442.50 mm x 43.75 mm x 204.83 mm)
	19.00" x 1.72" (1U) x 8.06" (including mounting ears) (482.6 mm x 43.75 mm x 204.83 mm)
Weight	Without packaging – 3.2Kgs/7.05 lbs With packaging – 4.12Kgs/9.1 lbs
Construction	Housing: Steel chassis Finish: Black matte paint
Mounting Option	4 mounting ears for rack or wall mount included
Environmental	
Temperature	Operating: 14°F to 131°F (-10°C to +55°C)
	Storage: 14°F to 158°F (-10°C to 70°C)
Relative Humidity	Operating: 0%-93%, non-condensing
Regulatory	
Emissions	FCC: Part 15, Class B CE: EN 61000-6-3 CE: EN 61000-3-2
Immunity	CE: EN 50130-4
Safety U.S. and Canada International	ETL Listed to: UL 60950-1 IEC 60950-1
Warranty	5 years
Security	
Protocol	HTTPS secure login

MAXPRO® Cloud Appliance

www.maxprocloud.eu

SYSTEM DIAGRAM



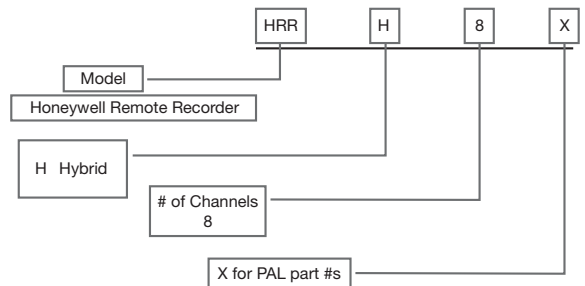
Front Panel LED	Indication
NET	Red LED - Turns ON if the unit fails to connect/register to remote server (MAXPRO Connect)
ALARM	Blue LED - During power up the LED will be blinking, once the unit starts the application the LED will be turned ON until the application stabilizes, once the application stabilizes the LED will be turned OFF. Blue LED blinks when device formats external storage.
CH 1-8	Green LED - Indicates video present on logical channels 1-8

MAXPRO® Cloud Appliance

www.maxprocloud.eu

ORDERING AND STORAGE INFORMATION

MAXPRO Cloud Appliance	
MAXPRO Cloud Appliance	HRRH8X (without any cloud fees contract commitment) HRRH8XA (with 1 year (annual) cloud fees contract commitment)
Cameras Supported	
equiP® H.264 IP Network Cameras	HD3MDIHX, HD4MDIHX, HCD5MIHX
equiP® 1080P IP Network Cameras	HD3HDIHX, HD4HDIHX, HCD5HIHX
equiP® v2 Series Network Cameras	HD3MDIPX, HD4MDIPX
Performance Series IP Cameras	HD44IPX, HD45IPX, HD54IPX, HD55IPX
equiP® Wide Dynamic Range IP Network Cameras	HD3MWHX, HD4MWHX, HCD5WHX



Local Storage Options

Recording Time – CONTINUOUS RECORDING						
Hard Disk Size	Analog Cameras (8)		IP Cameras (8) CIF 15fps		IP (4) 720p	
	Min	Max	Min	Max	Min	Max
(Internal) 4 GB SSD	4 hrs	1hr	2 hr	1hr	1hr	0.4hrs
(External) 500 GB	~ 23 days	~ 8 days	~ 11 days	~ 6 days	~ 3 days	~ 2 days
(External) 1 TB	~ 45 days	~ 15 days	~ 23 days	~ 11 days	~ 5 days	~ 4 days

NOTE: For event-based recording (pre-event – 30 sec, post-event – 120 sec), storage required will be one sixth of continuous recording (assuming 100 events/day).

Recording Capabilities of MAXPRO Cloud Appliance

IP or Analog	Resolution	max FPS	Onsite/Offsite parameter				
			Quality	Good	Better	Best	
Analogue	CIF	15	Onsite	Pre (sec)	15	15	15
			Offsite	Post (sec)	300	300	300
			Offsite	Post (sec)	277	131	82
			Bandwidth (Kbps)		256	512	768
			Max Cameras		8	8	7
			Quality		Good	Better	Best
IP	cc	15	Onsite	Pre (sec)	15	15	15
			Offsite	Post (sec)	300	300	300
			Offsite	Post (sec)	131	82	58
			Bandwidth (Kbps)		512	768	1024
			Max Cameras		8	7	5
			Quality		Good	Better	Best
	4CIF	15	Onsite	Pre (sec)	5	5	5
			Offsite	Post (sec)	300	300	300
			Offsite	Post (sec)	48	31	27
			Bandwidth (Kbps)		1540	2240	2500
			Max Cameras		7	5	4
			Quality		Good	Better	Best
	720P	15	Onsite	Pre (sec)	5	5	5
			Offsite	Post (sec)	300	300	300
			Offsite	Post (sec)	27	27	27
			Bandwidth (Kbps)		2200	2400	2800
			Max Cameras		4	4	4
			Quality		Good	Better	Best
	1080P	7	Onsite	Pre (sec)			5
			Offsite	Post (sec)			300
			Offsite	Post (sec)			24
			Bandwidth (Kbps)				3200
			Max Cameras				3
			Quality				Best

NOTE: Honeywell reserves the right, without notification, to make changes in product design or specifications.

For more information:

please visit www.honeywell.com/security/uk

Honeywell Security Group

Aston Fields Road
Whitehouse Industrial Estate
Runcorn
Cheshire
WA7 3DL
Tel: 08448 000 235
www.honeywell.com